



KEY FEATURES

- Professional IP66 Waterproof fixture with robust design including Through-wiring 5x2.5mm²
- IP66 Dust and waterproof
- IK08 Vandal resistant / impact resistant polycarbonate housing and diffuser
- Available in 3000K, 4000K, 6500K and 3-CCT (3000K-6000K)
- Integrated LED with a long lifespan of L80B10 100,000 hours / L90B50 >50,000 hours
- Included Premium Philips LED Driver
- Included stainless steel clips
- Suitable for replacing fixtures with fluorescent tubes
- Up to 146lm/W
- Available on request with DALI, Sensors and Emergency
- 5 year Pragmalux Warranty - 7 years with project registration

DETAILS



2xM20 - RVS(314) clips



7 connection points Adjustable ceiling clips

IP66 IK08 850° GWT 140LM/W THROUGH-WIRING 5X2.5MM² 120°

OPTIONS

3000K 5000K

5 PRAGMALUX
YEAR
WARRANTY

7 PRAGMALUX
YEAR
WARRANTY
EXTENDED-PRO

SPECIFICATIONS (ACCORDING TO EN IEC 62722-2-1)

ITEM CODE	DESCRIPTION	W	LM	LM/W	KELVIN	CRI	INPUT CURRENT	LIFETIME L80	EQUIVALENT	BEAM ANGLE
4600727	LED Waterproof Zeus IP66 19W 600 4000K Incl. 5x2.5mm TW	19	2500	132	4000	≥80	0.09	100000	1x36W FL	120°
4600703	LED Waterproof Zeus IP66 35W 1200 4000K Incl. 5x2.5mm TW	35	4850	139	4000	≥80	0.16	100000	2x36W FL	120°
4600680	LED Waterproof Zeus IP66 51W 1500 4000K Incl. 5x2.5mm TW	51	7400	145	4000	≥80	0.23	100000	2x58W FL	120°
4600673	LED Waterproof Zeus IP66 60W 1500 4000K Incl. 5x2.5mm TW	60	8750	146	4000	≥80	0.28	100000	2x80W FL	120°
4607115	LED Waterproof Zeus IP66 19W 600 3000K Incl. 5x2.5mm TW	19	2400	126	3000	≥80	0.09	100000	1x36W FL	120°
4607122	LED Waterproof Zeus IP66 35W 1200 3000K Incl. 5x2.5mm TW	35	4700	134	3000	≥80	0.16	100000	2x36W FL	120°
4607139	LED Waterproof Zeus IP66 51W 1500 3000K Incl. 5x2.5mm TW	51	7250	142	3000	≥80	0.23	100000	2x58W FL	120°
4607146	LED Waterproof Zeus IP66 60W 1500 3000K Incl. 5x2.5mm TW	60	8500	142	3000	≥80	0.28	100000	2x80W FL	120°
4607153	LED Waterproof Zeus IP66 19W 600 6500K Incl. 5x2.5mm TW	19	2500	132	6500	≥80	0.09	100000	1x36W FL	120°
4607160	LED Waterproof Zeus IP66 35W 1200 6500K Incl. 5x2.5mm TW	35	4850	139	6500	≥80	0.16	100000	2x36W FL	120°
4607177	LED Waterproof Zeus IP66 51W 1500 6500K Incl. 5x2.5mm TW	51	7400	145	6500	≥80	0.23	100000	2x58W FL	120°
4607184	LED Waterproof Zeus IP66 60W 1500 6500K Incl. 5x2.5mm TW	60	8750	146	6500	≥80	0.28	100000	2x80W FL	120°
4607191	LED Waterproof Zeus IP66 35W 1200 4000K Incl. 5x2.5mm TW DALI	35	4850	139	4000	≥80	0.16	100000	2x36W FL	120°
4607207	LED Waterproof Zeus IP66 51W 1500 4000K Incl. 5x2.5mm TW DALI	51	7400	145	4000	≥80	0.23	100000	2x58W FL	120°
4607498	LED Waterproof Zeus IP66 61W 1500 4000K Incl. 5x2.5mm TW DALI	61	8900	146	4000	≥80	0.29	100000	2x80W FL	120°
4600703-S	LED Waterproof Zeus IP66 35W 1200 4000K Incl. 5x2.5mm TW Sensor	35	4850	139	4000	≥80	0.16	100000	2x36W FL	120°
4600703-SN	LED Waterproof Zeus IP66 35W 1200 4000K Incl. 5x2.5mm TW Sensor + Emergency	35	4850	139	4000	≥80	0.16	100000	2x36W FL	120°
4600703-N	LED Waterproof Zeus IP66 35W 1200 4000K Incl. 5x2.5mm TW Emergency	35	4850	139	4000	≥80	0.16	100000	2x36W FL	120°
4600680-S	LED Waterproof Zeus IP66 51W 1500 4000K Incl. 5x2.5mm TW Sensor	51	7400	145	4000	≥80	0.23	100000	2x58W FL	120°
4600680-SN	LED Waterproof Zeus IP66 51W 1500 4000K Incl. 5x2.5mm TW Sensor + Emergency	51	7400	145	4000	≥80	0.23	100000	2x58W FL	120°
4600680-N	LED Waterproof Zeus IP66 51W 1500 4000K Incl. 5x2.5mm TW Emergency	51	7400	145	4000	≥80	0.23	100000	2x58W FL	120°
4607177-S	LED Waterproof Zeus IP66 51W 1500 6500K Incl. 5x2.5mm TW Sensor	51	7400	145	6500	≥80	0.23	100000	2x58W FL	120°
4607177-SN	LED Waterproof Zeus IP66 51W 1500 6500K Incl. 5x2.5mm TW Sensor + Emergency	51	7400	145	6500	≥80	0.23	100000	2x58W FL	120°
4607177-N	LED Waterproof Zeus IP66 51W 1500 6500K Incl. 5x2.5mm TW Emergency	51	7400	145	6500	≥80	0.23	100000	2x58W FL	120°
4600673-S	LED Waterproof Zeus IP66 60W 1500 4000K Incl. 5x2.5mm TW Sensor	60	8750	146	4000	≥80	0.28	100000	2x80W FL	120°
4600673-SN	LED Waterproof Zeus IP66 60W 1500 4000K Incl. 5x2.5mm TW Sensor + Emergency	60	8750	146	4000	≥80	0.28	100000	2x80W FL	120°
4600673-N	LED Waterproof Zeus IP66 60W 1500 4000K Incl. 5x2.5mm TW Emergency	60	8750	146	4000	≥80	0.28	100000	2x80W FL	120°
4607184-S	LED Waterproof Zeus IP66 60W 1500 6500K Incl. 5x2.5mm TW Sensor	60	8750	146	6500	≥80	0.28	100000	2x80W FL	120°
4607184-SN	LED Waterproof Zeus IP66 60W 1500 6500K Incl. 5x2.5mm TW Sensor + Emergency	60	8750	146	6500	≥80	0.28	100000	2x80W FL	120°
4607184-N	LED Waterproof Zeus IP66 60W 1500 6500K Incl. 5x2.5mm TW Emergency	60	8750	146	6500	≥80	0.28	100000	2x80W FL	120°
4600727-S	LED Waterproof Zeus IP66 19W 600 4000K Incl. 5x2.5mm TW Sensor	19	2500	132	4000	≥80	0.09	100000	1x36W FL	120°

All rights reserved. Pragmalux - PDL Lighting Group B.V. retains the right to modify product specifications without any prior notice or obligation and does not assume any liability for any consequences of using this document. Subject to errors and printing errors. Luminous flux tolerance: +/- 10%. Power consumption tolerance: +/- 10%.

ITEM CODE	DESCRIPTION	W	LM	LM/W	KELVIN	CRI	INPUT CURRENT	LIFETIME L80	BEAM ANGLE
4600703-CCT	LED Waterproof Zeus IP66 36W 1200 3-CCT 3000-6000K Incl. 5x2.5mm TW	36	4700	130	3-CCT	≥80	0.17	100000	120°
4600703-CCT-S	LED Waterproof Zeus IP66 36W 1200 3-CCT 3000-6000K Incl. 5x2.5mm TW Sensor	36	4700	130	3-CCT	≥80	0.17	100000	120°
4600703-CCT-N	LED Waterproof Zeus IP66 36W 1200 3-CCT 3000-6000K Incl. 5x2.5mm TW Emergency	36	4700	130	3-CCT	≥80	0.17	100000	120°
4600703-CCT-SN	LED Waterproof Zeus IP66 36W 1200 3-CCT 3000-6000K Incl. 5x2.5mm TW Sensor + Emergency	36	4700	130	3-CCT	≥80	0.17	100000	120°
4607177-CCT	LED Waterproof Zeus IP66 48W 1500 3-CCT 3000-6000K Incl. 5x2.5mm TW	48	7200	150	3000	≥80	0.23	100000	120°
4607177-CCT-S	LED Waterproof Zeus IP66 48W 1500 3-CCT 3000-6000K Incl. 5x2.5mm TW Sensor	48	7200	150	3000	≥80	0.23	100000	120°
4607177-CCT-N	LED Waterproof Zeus IP66 48W 1500 3-CCT 3000-6000K Incl. 5x2.5mm TW Emergency	48	7200	150	3000	≥80	0.23	100000	120°
4607177-CCT-SN	LED Waterproof Zeus IP66 48W 1500 3-CCT 3000-6000K Incl. 5x2.5mm TW Sensor + Emergency	48	7200	150	3000	≥80	0.23	100000	120°

TECHNICAL DATA

ELECTRICAL DATA	
Voltage (V)	220-240
Frequency (Hz)	50/60
Power factor (λ)	≥0.9
Operating mode	Integrated LED Driver
Electrical connection	5x2,5 mm² wire Push Terminal, 5-pole
Total harmonic distortion	≤ 20 %

TEMPERATURES & OPERATING CONDITIONS

Ambient temperature	25°C
Operating temperature	-25 ~ +40°C
Storage temperature	-25 ~ +80°C

COLORS & MATERIALS

Color (Housing)	Grey RAL7035
Material (Housing)	PC
Material (Reflector)	PC

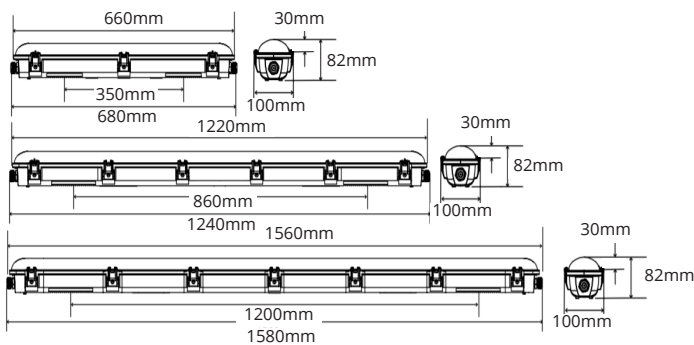
CERTIFICATES & STANDARDS

Driver certificates	CE / ENEC
Fixture certificates	CE / ENEC
Ingress protection	IP66
Protection class	I
Protection class IK	08
Glow Wire Test (IEC 695-2-1)	850°C
Photobiological safety group EN62778	RG0
IEC	EN IEC 62722-2-1
LM80 (TM21 /) L90B50 (hours)	>50,000

CAPABILITIES

UGR	≤25
Dimmable	No
Type of connection	5x2,5 mm² wire Push Terminal, 5-pole
LED Module replacable	No
Installation	Through-wiring

DIMENSIONS



EXTRA INFORMATION

Item Description	ON		ON			ON			ON			Factory Setting								
	mA	W	lm			mA	W	lm			mA	W	lm							
			3000K	4000K	6500K			3000K	4000K	6500K			3000K	4000K	6500K					
LED Waterproof Zeus IP66 19W 600	200	11	1400	1450	1450	250	14	1750	1800	1800	300	16	2100	2150	2150	350	19	2400	2500	2500
LED Waterproof Zeus IP66 35W 1200	200	20	2800	2900	2900	250	24	3400	3550	3550	300	29	4100	4250	4250	350	35	4700	4850	4850
LED Waterproof Zeus IP66 51W 1500	200	29	4350	4450	4450	250	36	5300	5450	5450	300	44	6350	6450	6450	350	51	7250	7400	7400
LED Waterproof Zeus IP66 60W 1500	200	34	5150	5250	5250	250	43	6450	6600	6600	300	52	7650	7800	7800	350	60	8500	8750	8750

PRAGMALUX

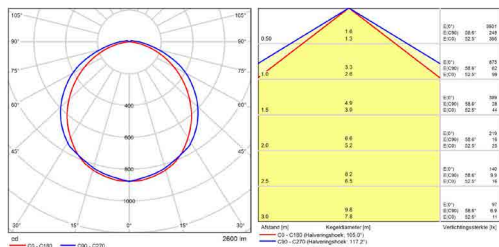
All rights reserved. Pragmalux - PDL Lighting Group B.V. retains the right to modify product specifications without any prior notice or obligation and does not assume any liability for any consequences of using this document. Subject to errors and printing errors. Luminous flux tolerance: +/- 10%. Power consumption tolerance: +/- 10%.

Version: August 2021

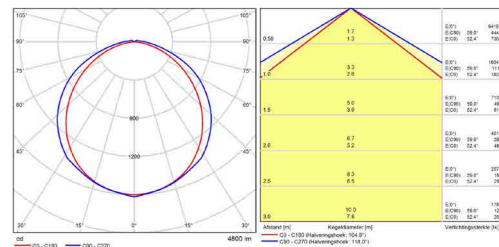
ITEM CODE	DESCRIPTION	DRIVER FAILURE RATE AT 5.000H	INRUSH CURRENT IPEAK (A)	INRUSH CURRENT TWIDTH (µs)	MAX. NO. OF DRIVERS ON MCB TYPE B 10A	MAX. NO. OF DRIVERS ON MCB TYPE B 16A	MAX. NO. OF DRIVERS ON MCB TYPE C 10A	MAX. NO. OF DRIVERS ON MCB TYPE C 16A
4600727	LED Waterproof Zeus IP66 19W 600 4000K Incl. 5x2.5mm TW	≤1%	17.56	138.5	68	108	112	183
4600703	LED Waterproof Zeus IP66 35W 1200 4000K Incl. 5x2.5mm TW	≤1%	19.2	134	28	46	47	78
4600680	LED Waterproof Zeus IP66 51W 1500 4000K Incl. 5x2.5mm TW	≤1%	28.2	134	19	31	32	52
4600673	LED Waterproof Zeus IP66 60W 1500 4000K Incl. 5x2.5mm TW	≤1%	28.2	134	19	31	32	52
4607115	LED Waterproof Zeus IP66 19W 600 3000K Incl. 5x2.5mm TW	≤1%	17.56	138.5	68	108	112	183
4607122	LED Waterproof Zeus IP66 35W 1200 3000K Incl. 5x2.5mm TW	≤1%	19.2	134	28	46	47	78
4607139	LED Waterproof Zeus IP66 51W 1500 3000K Incl. 5x2.5mm TW	≤1%	28.2	134	19	31	32	52
4607146	LED Waterproof Zeus IP66 60W 1500 3000K Incl. 5x2.5mm TW	≤1%	28.2	134	19	31	32	52
4607153	LED Waterproof Zeus IP66 19W 600 6500K Incl. 5x2.5mm TW	≤1%	17.56	138.5	68	108	112	183
4607160	LED Waterproof Zeus IP66 35W 1200 6500K Incl. 5x2.5mm TW	≤1%	19.2	134	28	46	47	78
4607177	LED Waterproof Zeus IP66 51W 1500 6500K Incl. 5x2.5mm TW	≤1%	28.2	134	19	31	32	52
4607184	LED Waterproof Zeus IP66 60W 1500 6500K Incl. 5x2.5mm TW	≤1%	28.2	134	19	31	32	52
4607191	LED Waterproof Zeus IP66 35W 1200 4000K Incl. 5x2.5mm TW DALI	≤1%	23.1	221	13	22	22	37
4607207	LED Waterproof Zeus IP66 51W 1500 4000K Incl. 5x2.5mm TW DALI	≤1%	25.1	214	13	21	21	35
4607498	LED Waterproof Zeus IP66 61W 1500 4000K Incl. 5x2.5mm TW DALI	≤1%	25.1	214	13	21	21	35
4600703-S	LED Waterproof Zeus IP66 35W 1200 4000K Incl. 5x2.5mm TW S	≤1%	19.2	134	28	46	47	78
4600703-SN	LED Waterproof Zeus IP66 35W 1200 4000K Incl. 5x2.5mm TW S+E	≤1%	19.2	134	28	46	47	78
4600703-N	LED Waterproof Zeus IP66 35W 1200 4000K Incl. 5x2.5mm TW E	≤1%	19.2	134	28	46	47	78
4600680-S	LED Waterproof Zeus IP66 51W 1500 4000K Incl. 5x2.5mm TW S	≤1%	28.2	134	19	31	32	52
4600680-SN	LED Waterproof Zeus IP66 51W 1500 4000K Incl. 5x2.5mm TW S+E	≤1%	28.2	134	19	31	32	52
4600680-N	LED Waterproof Zeus IP66 51W 1500 4000K Incl. 5x2.5mm TW E	≤1%	28.2	134	19	31	32	52
4607177-S	LED Waterproof Zeus IP66 51W 1500 6500K Incl. 5x2.5mm TW S	≤1%	28.2	134	19	31	32	52
4607177-SN	LED Waterproof Zeus IP66 51W 1500 6500K Incl. 5x2.5mm TW S+E	≤1%	28.2	134	19	31	32	52
4607177-N	LED Waterproof Zeus IP66 51W 1500 6500K Incl. 5x2.5mm TW E	≤1%	28.2	134	19	31	32	52
4600673-S	LED Waterproof Zeus IP66 60W 1500 4000K Incl. 5x2.5mm TW S	≤1%	28.2	134	19	31	32	52
4600673-SN	LED Waterproof Zeus IP66 60W 1500 4000K Incl. 5x2.5mm TW S+E	≤1%	28.2	134	19	31	32	52
4600673-N	LED Waterproof Zeus IP66 60W 1500 4000K Incl. 5x2.5mm TW E	≤1%	28.2	134	19	31	32	52
4607184-S	LED Waterproof Zeus IP66 60W 1500 6500K Incl. 5x2.5mm TW S	≤1%	28.2	134	19	31	32	52
4607184-SN	LED Waterproof Zeus IP66 60W 1500 6500K Incl. 5x2.5mm TW S+E	≤1%	28.2	134	19	31	32	52
4607184-N	LED Waterproof Zeus IP66 60W 1500 6500K Incl. 5x2.5mm TW E	≤1%	28.2	134	19	31	32	52
4600727-S	LED Waterproof Zeus IP66 19W 600 4000K Incl. 5x2.5mm TW S	≤1%	17.56	138.5	68	108	112	183

PHOTOMETRIC SPECIFICATIONS

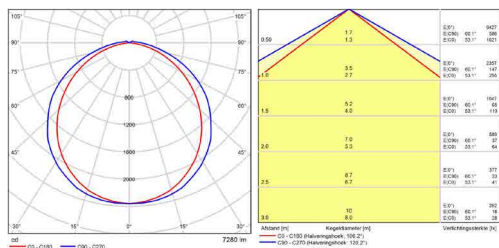
LED WATERPROOF ZEUS IP66 19W 600 4000K INCL. 5X2.5MM TW



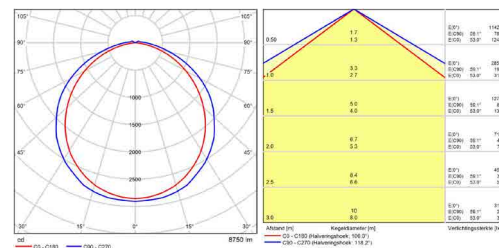
LED WATERPROOF ZEUS IP66 35W 1200 4000K INCL. 5X2.5MM TW



LED WATERPROOF ZEUS IP66 51W 1500 4000K INCL. 5X2.5MM TW



LED WATERPROOF ZEUS IP66 60W 1500 4000K INCL. 5X2.5MM TW



PRAGMALUX

All rights reserved. Pragmalux - PDL Lighting Group B.V. retains the right to modify product specifications without any prior notice or obligation and does not assume any liability for any consequences of using this document. Subject to errors and printing errors. Luminous flux tolerance: +/- 10%. Power consumption tolerance: +/- 10%.

Version: August 2021

